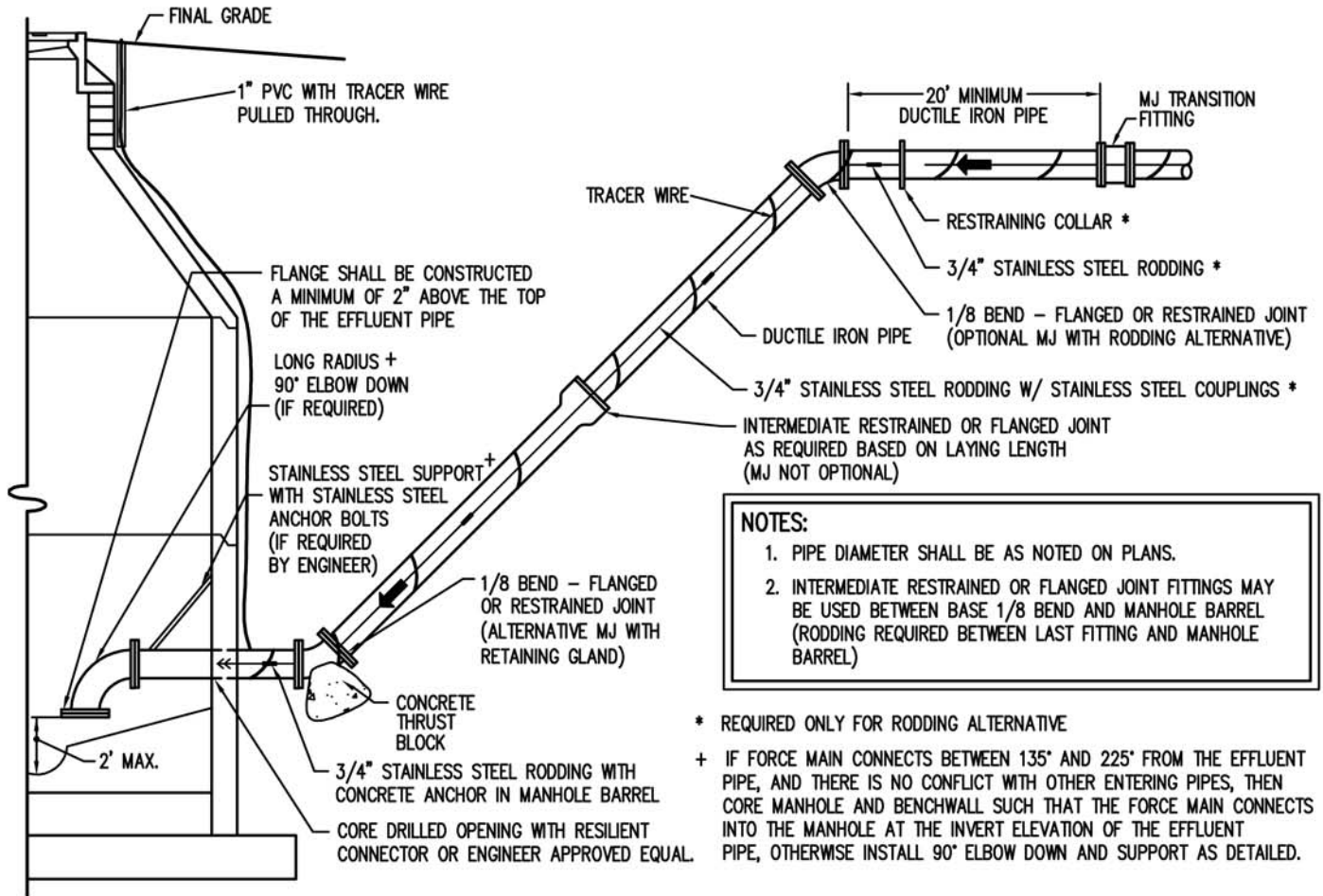


FORCE MAIN TO MANHOLE DETAIL
FOR 4" DIAMETER PIPE OR SMALLER

FORCE MAIN TO MANHOLE DETAIL



FORCE MAIN TO MANHOLE DETAIL
FOR 4" DIAMETER PIPE OR GREATER

FORCE MAIN TO MANHOLE DETAIL